

Handheld laser scanning for everyone

If you're looking for a fast and reliable way to map and understand spaces in real time, meet the ZEB Go RT

Technical specification

Range	30m (features <15m)
Laser	Class 1 / λ 905nm
FOV	360° x 270°
Protection class	IP 51
Processing	Real time
Data logger carrier	Shoulder strap
Scanner weight	850g
Colourised point cloud	✓*
Referenced imagery	✓*
Scanner points per second	43,000
No. of sensors	1
Relative accuracy	1 - 3cm**
Raw data file size	100MB/min

GeoSLAM Hub

Transform your 3D scan data into actionable information
Automatic registration of multiple scans and geo-referencing
Import and manipulate data from any GeoSLAM device
Quick & easy workflows with 'drag and drop' functionality
Optional Draw packages - Start, Plan, BIM, Mining and Pro

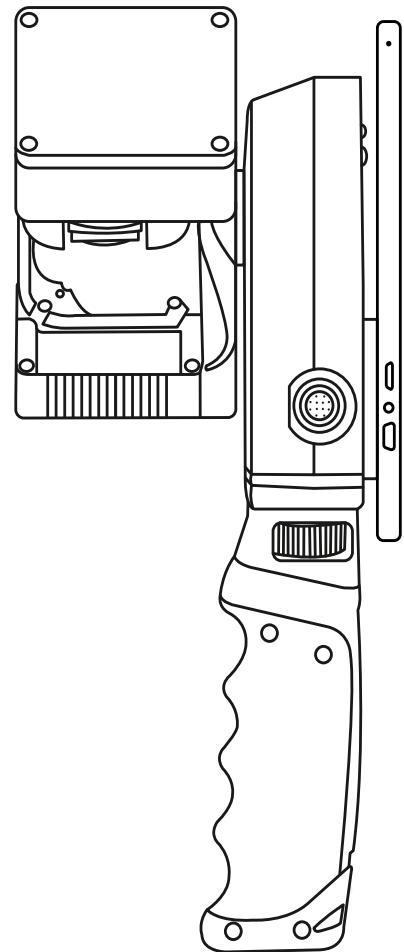
Accessories

Pole - Elevate your device into ceiling voids

Cradle - Lower your device into shafts

ZEB Pano - 350° panoramic imagery

ZEB Cam - Colourise your pointcloud



*with ZEB Cam

**environment dependent